

**P4A-420C**

**P4A-420BN**



**P4A-420ORB**

## **4" Two Handle Lavatory Faucet**

# **Product Spec Sheet**



### **FEATURES & BENEFITS**

- This Product Contains Less Than 0.25% Weighted Average Lead Content On Wetted Surfaces
- Metal Lever Handle
- Ceramic Cartridge
- Metal Pop-up
- Max Flow Rate 1.2GPM(4.5L/Min) At 60PSI (ASME A112.18.1/A112.18.1)

P4A-420C  
Chrome Finish

P4A-420BN  
Brushed Nickel Finish

P4A-420ORB  
Oil Rubbed Bronze Finish

### **Approvals:**

Meets or Exceeds The Following:

- \* ASME A112.18.1/CSA B125.1
- \* NSF/ANSI 61
- \* NSF/ANSI 372
- \* IAPMO/cUPC
- \* CA AB1953
- \* EPA WaterSense
- \* NSF/ANSI/CAN 61:  $Q \leq 1$



**TEL:** 855-806-0688

**FAX:** 845-350-4043

Visit Our Web Site : [www.plumb4orce.com](http://www.plumb4orce.com)

**P4A-420C**

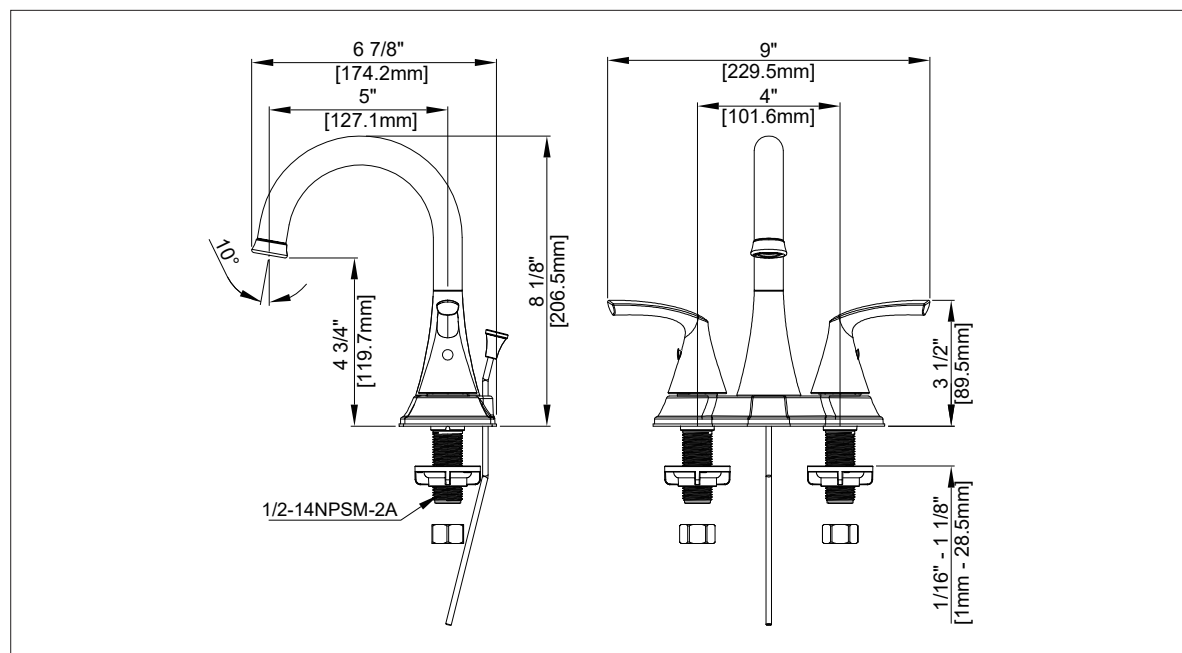
**P4A-420BN**

**P4A-420ORB**

## 4" Two Handle Lavatory Faucet

No.	Name	Part No.
1	Handle / <i>Llave</i>	RP13540*
2	Index H / <i>Índice H</i>	RP10004
3	Index C / <i>Índice C</i>	RP10005
4	Cartridge H / <i>Cartucho H</i>	RP20067
5	Cartridge C / <i>Cartucho C</i>	RP20068
6	Bonnet / <i>Capuchón</i>	RP70435
7	Washer / <i>Arandela</i>	RP64123
8	Aerator / <i>Aireado</i>	RP30212*
9	Mounting Nut / <i>Tuer/Tuerca de montaje</i>	RP56001
10	Coupling Nut / <i>Tuerca de acoplamiento</i>	RP56002
11	Lift rod & Lift Rod knob / <i>Perilla de la varilla de extensión &amp; Varilla de elevación</i>	RP40150*
12	Pop-up Assembly Less Lift Rod / <i>AEnsamble del Desagüe Automático Menos la Barra de Alzar</i>	RP40001*
13	Hex Allen Wrench / <i>Hex Llave Allen</i>	RP70221

\* Specify Finish  
\* Especifique el Acabado



**Product Spec Sheet**

TEL: 855-806-0688 FAX: 845-350-4043

Visit Our Web Site : [www.plumb4orce.com](http://www.plumb4orce.com)